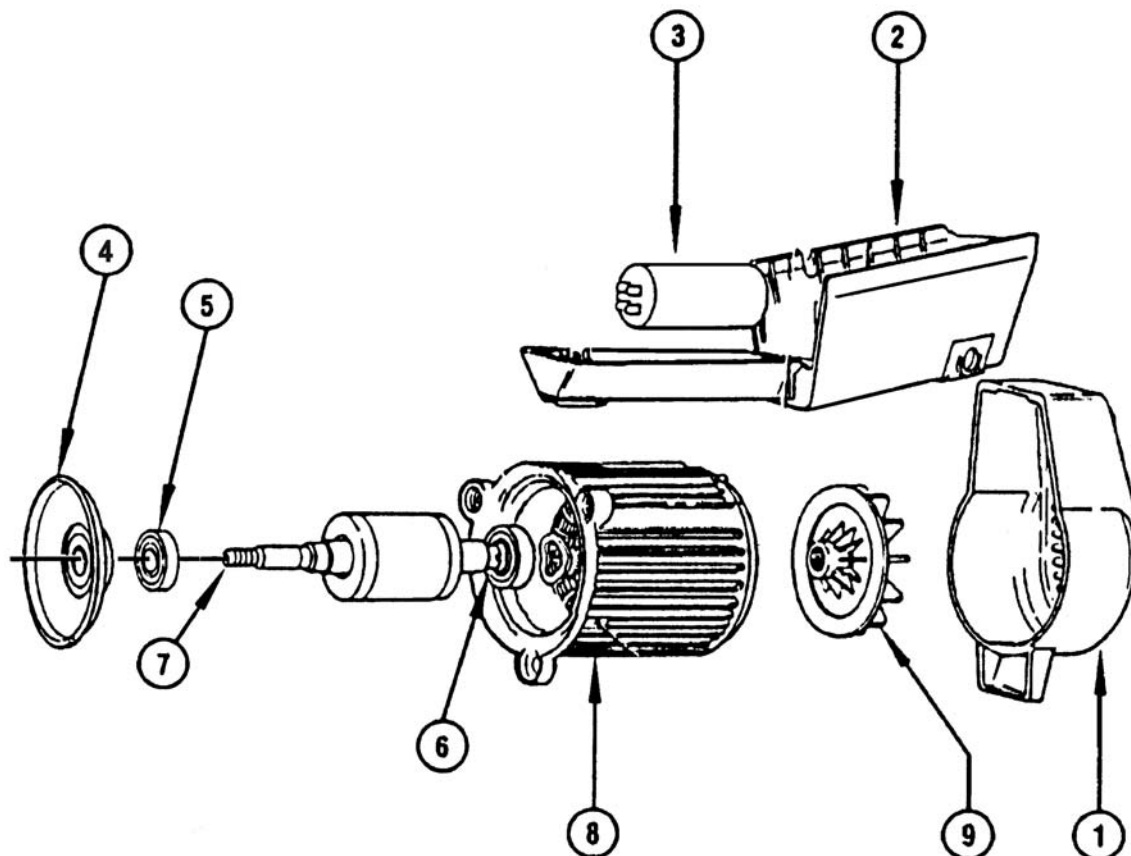


SERVICE MOTORS

JY350, 0.37kW 220V/50hz
JY350P, 0.37kW 220V/60hz
JY350Y, 0.37kW 110V/60hz
JY450, 0.60kW 220V/50hz
JY450Y, 0.60 kW 110V/60hz
XF111SS, 0.75kW 240V/50hz
XF111SS/P, 0.75kW 220V/60hz
XF111SS/Y, 0.75kW 110V/60hz
XF14-30, 0.75kW 110V/60hz
XF211SS, 0.90kW 220-240V/50hz
XF211SS/P, 0.90kW 220V/60hz
XF211SS/Y, 0.90kW 110V/60hz

1SW057797
1SW057B67
1SW057800
1SW057B70
1SW057780
1SW057761
1SW057B68
1SW057963
1SW057963
1SW057963
1SW057765
1SW057B69
1SW057967



SERVICE MOTORS

JY350, 0.37kW 220V/50hz	1SW057797
JY350P, 0.37kW 220V/60hz	1SW057B67
JY350Y, 0.37kW 110V/60hz	1SW057800
JY450, 0.60kW 220V/50hz	1SW057B70
JY450Y, 0.60 kW 110V/60hz	1SW057780
XF111SS, 0.75kW 240V/50hz	1SW057761
XF111SS/P, 0.75kW 220V/60hz	1SW057B68
XF111SS/Y, 0.75kW 110V/60hz	1SW057963
XF14-30, 0.75kW 110V/60hz	1SW057963
XF211SS, 0.90kW 220-240V/50hz	1SW057765
XF211SS/P, 0.90kW 220V/60hz	1SW057B69
XF211SS/Y, 0.90kW 110V/60hz	1SW057967

ITEM	NOTES	DESCRIPTION	QTY	PART NO.	LIST PRICE (USD)	UNIT
		Motor - 0.37kW 220V/50hz JY350	1	1SW057797	86.10	ea
		Motor - 0.37kW 220V/60hz JY350P	1	1SW057B67	86.10	ea
		Motor - 0.37kW 110V/60hz JY350Y	1	1SW057800	94.00	ea
		Motor - 0.60kW 220V/50hz JY450	1	1SW057B70	113.00	ea
		Motor - 0.60 kW 110V/60hz JY450Y	1	1SW057780	123.80	ea
		Motor - 0.75kW 240V/50hz XF111SS	1	1SW057761	132.20	ea
		Motor - 0.75kW 220V/60hz XF111SS/P	1	1SW057B68	132.20	ea
		Motor - 0.75kW 110V/60hz XF111SS/Y & XF14-30	1	1SW057963	144.50	ea
		Motor - 0.90kW 220-240V/50hz XF211SS	1	1SW057765	150.80	ea
		Motor - 0.90kW 220V/60hz XF211SS/P	1	1SW057B69	150.80	ea
		Motor - 0.90kW 110V/60hz XF211SS/Y	1	1SW057967	165.00	ea
1		Fan cowl JY350 series	1	8SW306053	10.40	ea
1		Fan cowl JY450 series	1	8SW306052	10.40	ea
1		Fan cowl XF series	1	8SW306048	10.40	ea
2		Capacitor cover All other models not specified	1	8SW354052	10.40	ea
2		Capacitor cover JY350 series	1	8SW354055	10.40	ea
2		Capacitor cover XF series 110V	1	8SW354060-061	10.40	ea
3		Capacitor - 20 mfd 500V All other models not specified	1	401314	25.30	ea
3		Capacitor - 13 mfd 500V JY350 & JY350P	1	401313	18.00	ea
3		Capacitor - 40 mfd 250V JY350Y	1	401315	20.90	ea
3		Capacitor - 80 mfd 250V JY450Y	1	401317	41.80	ea
3		Capacitor - 60 mfd XF series 110V	1	401316	41.80	ea
4		Drive endshield All XF models	1	8SW013006	15.40	ea
4		Drive endshield JY350 series	1	8SW013032	11.10	ea
4		Drive endshield JY450 series	1	8SW013080	15.40	ea
5		Bearing All XF series & JY450 series	1	401311	8.00	ea
5 & 6		Bearing JY350 series	1	401310	8.00	ea
6		Bearing All XF series & JY450 series	1	401312	8.90	ea
5 & 6		Bearing JY350 series	1	401310	8.00	ea
7		Rotor assembly JY series	1	5SW674A30	29.30	ea
7		Rotor assembly JY450 series	1	5SW674A14	38.70	ea
7		Rotor assembly XF111SS series	1	5SW674991	40.60	ea
7		Rotor assembly XF211SS series	1	5SW674993	48.60	ea
8		Stator & shell assy JY350	1	awaiting advice		
8		Stator & shell assy JY350P	1	5SW670D94	53.90	ea
8		Stator & shell assy JY350Y	1	5SW670A13	53.90	ea
8		Stator & shell assy JY450	1	5SW670948	73.20	ea
8		Stator & shell assy JY450Y	1	5SW670980	73.20	ea
8		Stator & shell assy XF111SS	1	5SW670947	78.50	ea
8		Stator & shell assy XF111SS/P	1	5SW670050	78.50	ea
8		Stator & shell assy XF111SS/Y & XF14-30	1	5SW670979	79.40	ea
8		Stator & shell assy XF211SS	1	5SW670949	98.20	ea
8		Stator & shell assy XF211SS/P	1	5SW670D93	98.20	ea
8		Stator & shell assy XF211SS/Y	1	5SW670981	98.20	ea
9		Fan All other models not specified	1	8SW435041	10.40	ea
9		Fan JY350 series	1	8SW435040	9.90	ea
		Capacitor cover screws M4x60 All other models not specified	2	401320	0.50	ea
		Capacitor cover screws M4x52 JY350 series	2	401319	0.50	ea

DAVEY PRODUCTS PTY LTD. This price list is effective 1st July, 2006. The prices indicated are in USD (unless otherwise specified) and are subject to alteration without notice. ~ Indicates the current Part No. listed has superseded a previous Part No. Drawings are indicative only, product appearance may change slightly.

GENERAL PURPOSE ELECTRIC PUMPS

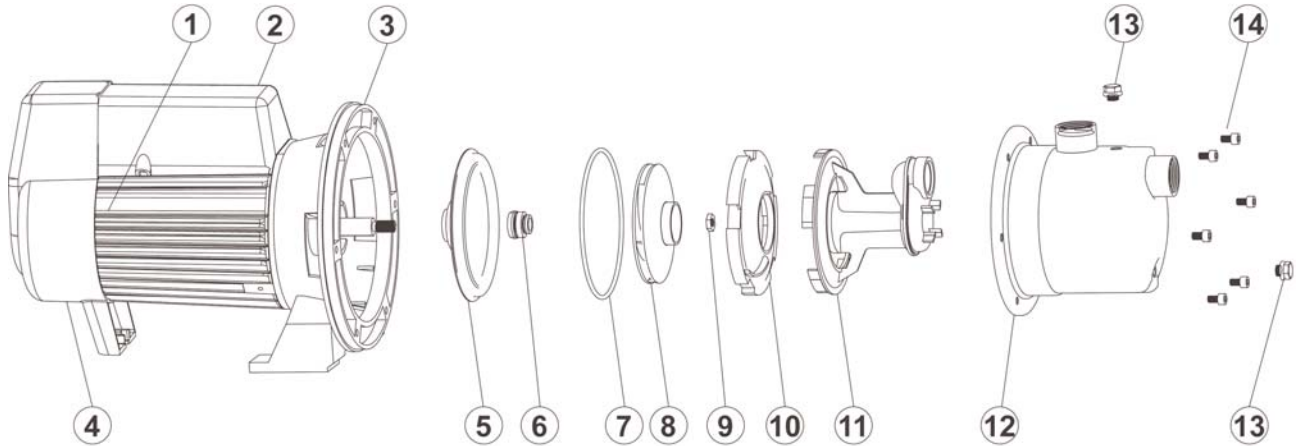
JY350, 0.37kW 220V/50hz

JY350P, 0.37kW 220V/60hz

JY350Y, 0.37kW 110V/60hz

JY450, 0.60kW 220V/50hz

JY450Y, 0.60 kW 110V/60hz

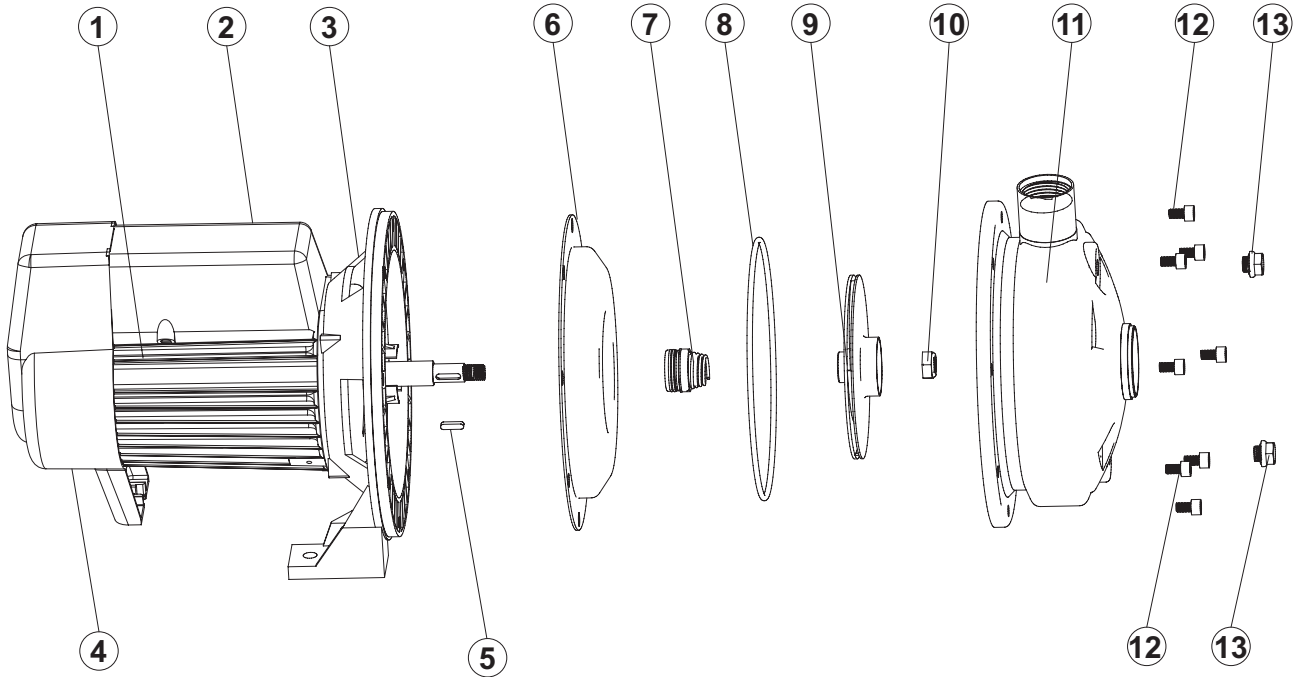


ITEM	NOTES	DESCRIPTION	QTY	PART NO.	LIST PRICE (USD)	UNIT
1		Motor - 0.37kW 220V/50hz JY350 only	1	1SW057797	86.10	ea
1		Motor - 0.37kW 220V/60hz JY350P only	1	1SW057B67	86.10	ea
1		Motor - 0.37kW 110V/60hz JY350Y only	1	1SW057800	94.00	ea
1		Motor - 0.60kW 220V/50hz JY450 only	1	1SW057B70	113.00	ea
1		Motor - 0.60 kW 110V/60hz JY450Y only	1	1SW057780	123.80	ea
2		Capacitor cover JY350 series only	1	8SW354055	10.40	ea
2		Capacitor cover JY450 series only	1	8SW354052	10.40	ea
3		Drive endshield JY350 series only	1	8SW013032	11.10	ea
3		Drive endshield JY450 series only	1	8SW013080	15.40	ea
4		Fan cowl JY350 series only	1	8SW306053	10.40	ea
4		Fan cowl JY450 series only	1	8SW306052	10.40	ea
5		Back cover	1	SZ0201500	29.40	ea
6		Seal - mechanical	1	SZMS010100	15.30	ea
7		Oring - casing	1	SZOR080100	1.90	ea
8		Impeller JY350 only	1	SZ0306500	17.00	ea
8		Impeller JY350P & JY350Y only	1	SZ0306600	17.00	ea
8		Impeller JY450 only	1	SZ0307500	19.10	ea
8		Impeller JY450Y only	1	SZ0307600	19.10	ea
9		Impeller nut	1	SZIN010100	0.90	ea
10		Cover plate	1	SZGP010100	10.40	ea
11		Diffuser	1	SZDIF010100	13.30	ea
12		Casing	1	SZ0101501	32.20	ea
13		Drain plug	2	SZFDP010100	3.00	ea
		Capacitor cover screws M4x52 JY350 series only - Not ill.	1	401319	0.50	ea
		Capacitor cover screws M4x60 JY450 series only - Not ill.	1	401320	0.50	ea
		Capacitor - 13 mfd 500V JY350 & JY350P only - Not ill.	1	401313	18.00	ea
		Capacitor - 40 mfd 250V JY350Y only - Not ill.	1	401315	20.90	ea
		Capacitor - 20 mfd 500V JY450 only - Not ill.	1	401314	25.30	ea
		Capacitor - 80 mfd 250V JY450Y only - Not ill.	1	401317	41.80	ea
		Drain plug oring	2	SZOR020100	0.30	ea
		Drain plug washer	2	SZLW010100	0.40	ea

DAVEY PRODUCTS PTY LTD. This price list is effective 1st July, 2006. The prices indicated are in USD (unless otherwise specified) and are subject to alteration without notice. ~ Indicates the current Part No. listed has superseded a previous Part No. Drawings are indicative only, product appearance may change slightly. .

GENERAL PURPOSE ELECTRIC PUMPS

XF111SS, 0.75kW 240V/50hz
XF111SS/P, 0.75kW 220V/60hz
XF111SS/Y, 0.75kW 110V/60hz
XF14-30, 0.75kW 110V/60hz
XF211SS, 0.90kW 220-240V/50hz
XF211SS/P, 0.90kW 220V/60hz
XF211SS/Y, 0.90kW 110V/60hz



ITEM	NOTES	DESCRIPTION	QTY	PART NO.	LIST PRICE (USD)	UNIT
1		Motor - 0.75kW 240V/50hz XF111SS only	1	1SW057761	132.20	ea
1		Motor - 0.75kW 220V/60hz XF111SS/P	1	1SW057B68	132.20	ea
1		Motor - 0.75kW 110V/60hz XF111SS/Y & XF14-30	1	1SW057963	144.50	ea
1		Motor - 0.90kW 220-240V/50hz XF211SS only	1	1SW057765	150.80	ea
1		Motor - 0.90kW 220V/60hz XF211SS/P only	1	1SW057B69	150.80	ea
1		Motor - 0.90kW 110V/60hz XF211SS/Y only	1	1SW057967	165.00	ea
2		Capacitor cover 110V models only	1	8SW354060-061	10.40	ea
2		Capacitor cover 220V & 240V models only	1	8SW354052	10.40	ea
3		Drive endshield	1	8SW013006	15.40	ea
4		Fan cowl	1	8SW306048	10.40	ea
5		Rotor key A4 x 16	1	401323	0.50	ea
6		Back cover All other models	1	WB0202500	17.00	ea
6		Back cover XF111SS only	1	WB0102500	17.00	ea
7		Mechanical seal	1	WBMS020100	15.30	ea
8		Casing oring	1	WBOR100100	1.90	ea
9		Impeller XF111SS only	1	WB0304500	19.10	ea
9		Impeller XF111SS/P, XS111SS/Y, XF14-30	1	WB0305600	20.20	ea
9		Impeller XF211SS only	1	WB0306501	22.30	ea
9		Impeller XF211SS/P & XF211SS/Y	1	WB0306600	20.20	ea
10		Impeller nut	1	WBIN030100	3.00	ea
11		Casing	1	WB0102501	75.50	ea
13		Drain plug	2	WBFDP010100	3.00	ea
		Capacitor cover screws M4x60 Not ill.	2	401320	0.50	ea
		Capacitor - 60 mfd 110V models only - Not ill.	1	401316	41.80	ea
		Capacitor - 20 mfd 500V 220 & 240V models - Not ill.	1	401314	25.30	ea
		Drain plug oring Not ill.	2	WBOR020100	0.30	ea
		Drain plug washer Not ill.	2	WBLW010100	0.40	ea

DAVEY PRODUCTS PTY LTD. This price list is effective 1st July, 2006. The prices indicated are in USD (unless otherwise specified) and are subject to alteration without notice. ~ Indicates the current Part No. listed has superseded a previous Part No. Drawings are indicative only, product appearance may change slightly.